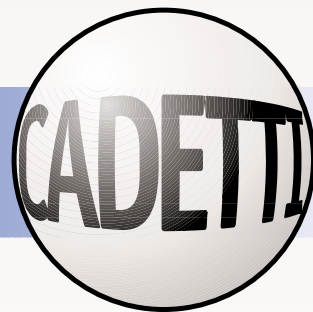
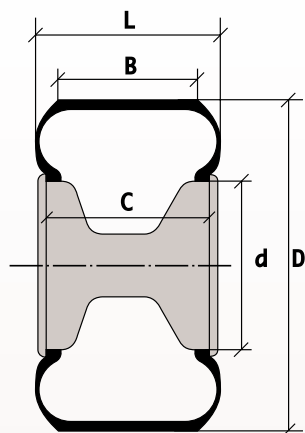


VEGA



HIGH TECHNOLOGY
IN KARTING TYRES



CODE	CA 40	CA 50
Omologazione/homologation	CSAI	CSAI
Misure/Size	10X4.00-5	11X5.00-5
Durezza/Hardness Shore A±6	69	69
L mm max	104	140
B mm ±5	62	92
C mm ±2	100	130
d mm $\begin{smallmatrix} +0 \\ -1 \end{smallmatrix}$	126	126
D mm ±6	252	274
Pressione suggerita/ Suggested pressure:	BAR ±0.2 PSI ±3	1.0 14
Pressione massima/ Max pressure:	BAR PSI	4.0 60
Velocità massima/ Max speed:	Km/h Mp/h	150 90
Peso/Weight kg	0.80	1.10

